

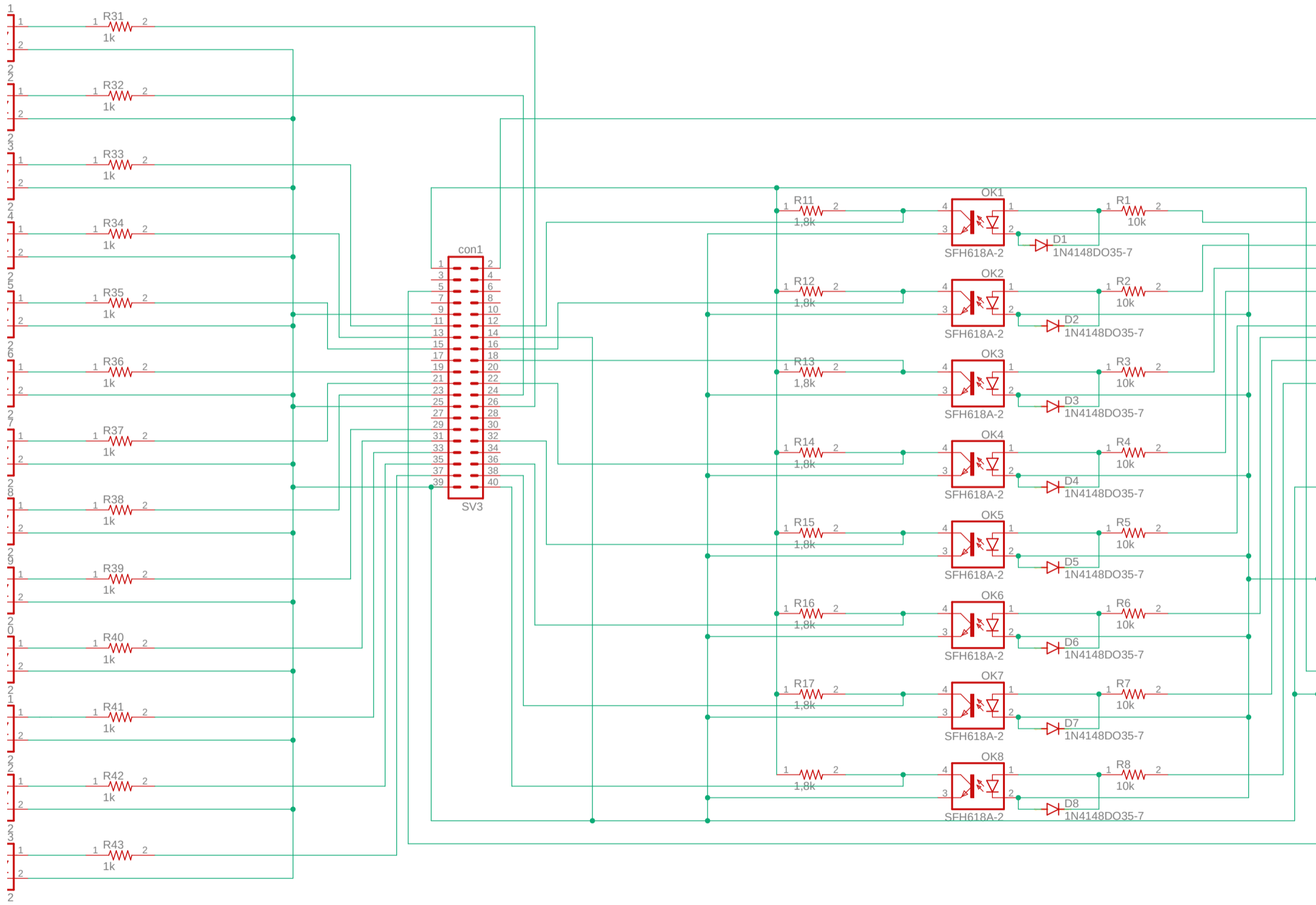
Useful Notes

C3 helps in ripple rejection upto 15dB

D1 protect the device against input short circuit

D2 protect against output short circuit for capacitance discharging

C2 of 1 μ F tantalum capacitor on the output helps to improve transient response



5V Voltage Regulator

